



## ZCS METER 1PH / 3PH

### Technical data

Model	ZSM-METER-1PH-2G	ZSM-METER-1PH-WIFI	ZSM-METER-3PH-2G	ZSM-METER-3PH-WIFI
Dimensions (mm)	110*76*36		91.5*85*36	
Mounting system	35mm DIN rail mounting		35mm DIN rail mounting	
Communication with server	2G (SIM card and 10 years data traffic included)	WI-FI	2G (SIM card and 10 years data traffic included)	WI-FI
Other ports	RS485		RS485	
Working temperature	-40°C/+85°C		-40°C/+85°C	
Insertion (current measurement)	Direct insertion		Current Sensor included (split core sensors)	
Number of sensors	NA		6	
Bidirectional measurement	Yes		Yes	
Accuracy (%)	1		1	
Power supply	Integrated 220V single phase		Integrated 380V three phase	
Rated nominal voltage	220V		3x220V (380V Ph-Ph)	
Rated nominal frequency	50Hz/60Hz		50Hz/60Hz	
Rated maximum current	60A		100A	
Rated maximum power	13.2kW		69kW	
Consumption	3W		3W	



ZSM-METER-1PH

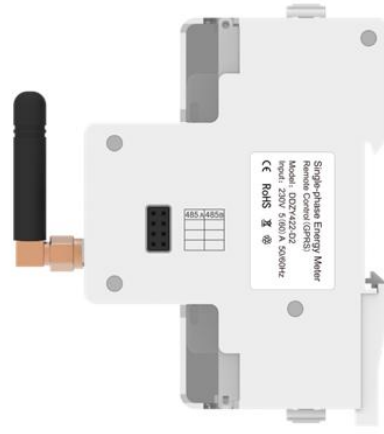


ZSM-METER-3PH

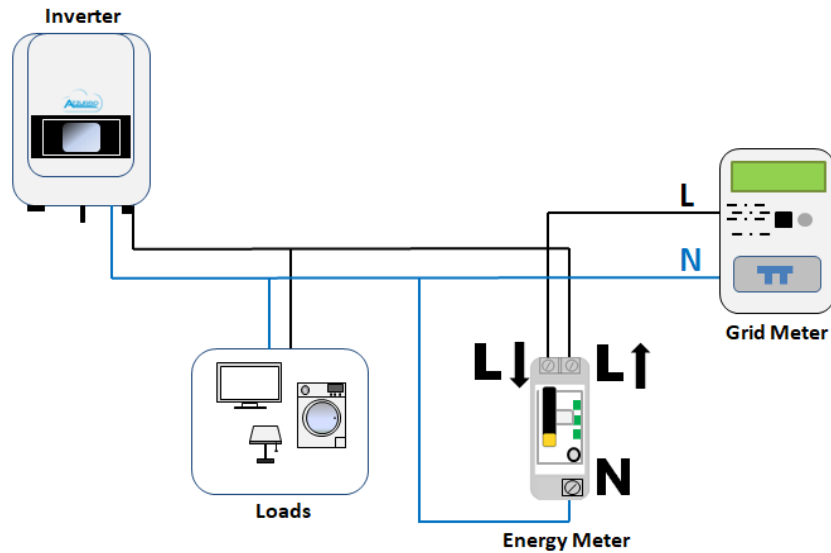




## ZSM-METER-1PH-2G/WIFI



### INSTALLATION SCHEME FOR ZSM-METER-1PH-2G/WIFI





**ZSM-METER-1PH-2G/WIFI**



**INSTALLATION SCHEME FOR ZSM-METER-1PH-2G/WIFI**

